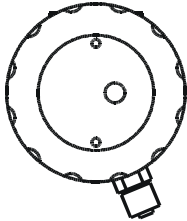


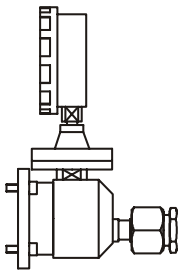
Maintenance kits for chlorinator C 2211**Full-vacuum chlorinator C 2211**

ET 2 04 11 / 2

Maintenance kit for chlorinator without inlet valve:

1 diaphragm, 2 O-rings, 1 screw

Part No. 35039

**Inlet valve**

ET 2 04 11 / 3+4

Maintenance kit for inlet valve:

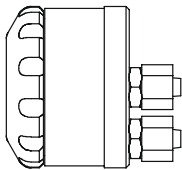
1 filter, 4 O-rings, 2 valve seats, 2 balls,
1 joint washer, 14 screws

chlorine cylinder connection G 5/8 and 1":

Part No. 35037

chlorine cylinder connection G 3/4:

Part No. 35038

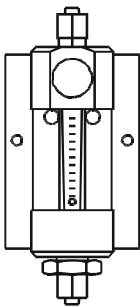
**Safety valve**

ET 2 04 11 / 5

Maintenance kit for safety valve:

1 diaphragm, 1 valve seat

Part No. 33390

**Measuring glasses**

ET 2 04 11 / 7+8

Maintenance kits for measuring glasses:

all O-rings, 2 screws

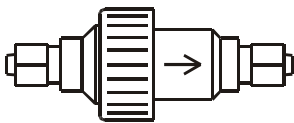
for single measuring glass

Part No. 29717

for multiple measuring glasses

(1x per measuring glass)

Part No. 33391

**Back stop**

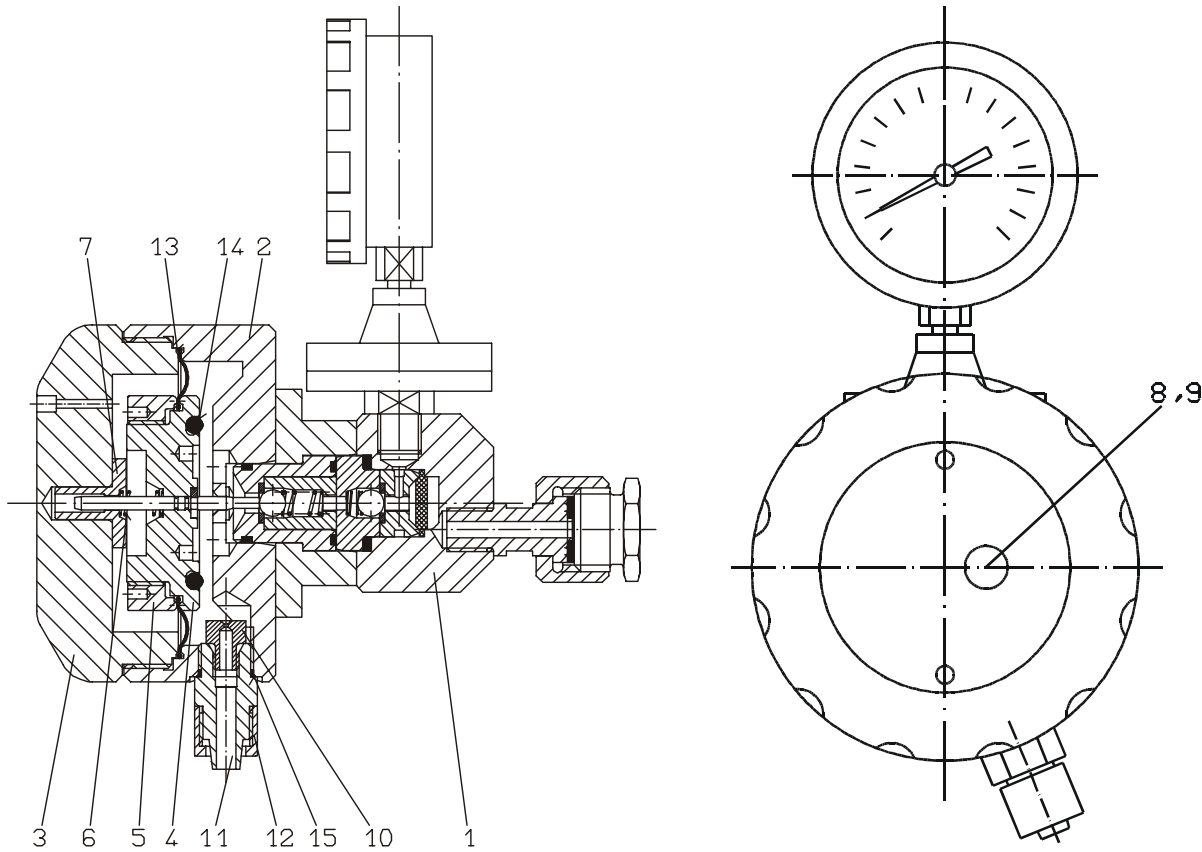
ET 2 04 11 / 5

Maintenance kit for back stop:

2 O-rings, 1 ball

Part No. 35062

Chlorinator assembly



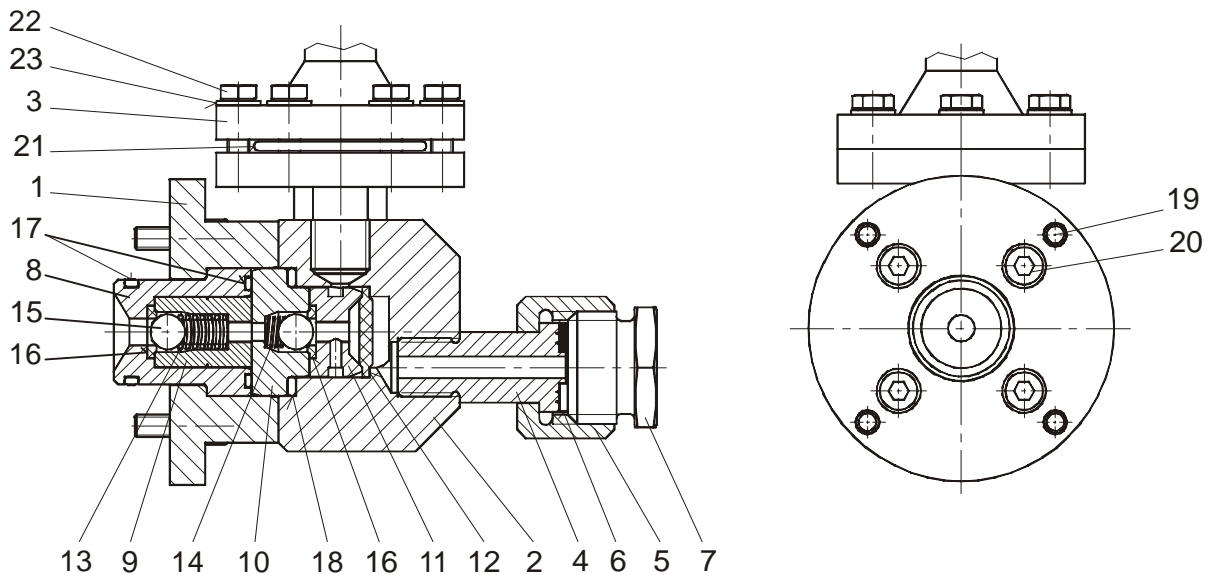
Item	Description	Material	Qty	Part No.
1	Inlet valve assembly W1"	G 5/8	misc.	35007
		G 3/4		35008
				35009
2	Housing bottom with bushings	PVC / brass	1	35010
3	Housing cover with bushing	PE / brass	1	35011
4	Diaphragm disc (valve pin cemented with PVC diaphragm disc)	PVC / silver	1	35014
5	Threaded ring	PVC	1	28806
6	Pressure spring d 7.6x14mm	Hastelloy	1	28967
7	Adjusting bushing	PVDF	1	35015
8	Adjusting screw M4x16	brass, nickel-plated	1	83766
9	Cap	Plastic	1	83851
10	Flow limiter d1.2mm - M8	PVC	1	35016
11	Clamping conn. d 8/12 - G 3/8 - M8	PVC	1	35017
12	Union nut d 8/12	PVC	1	10365
13*	Ring diaphragm	Viton	1	81599
14*	O-ring d 40. 65x5.34 mm	Viton	1	80078
15*	O-ring d 14x1.78 mm	Viton	1	80003
	Complete unit (increased residual pressure W 1")			20401100
				(20401104)
				20401101
				20401102

* contained in spare parts kit.

Lutz-Jesco GmbH

Improved changes are always reserved without notice.

Inlet valve

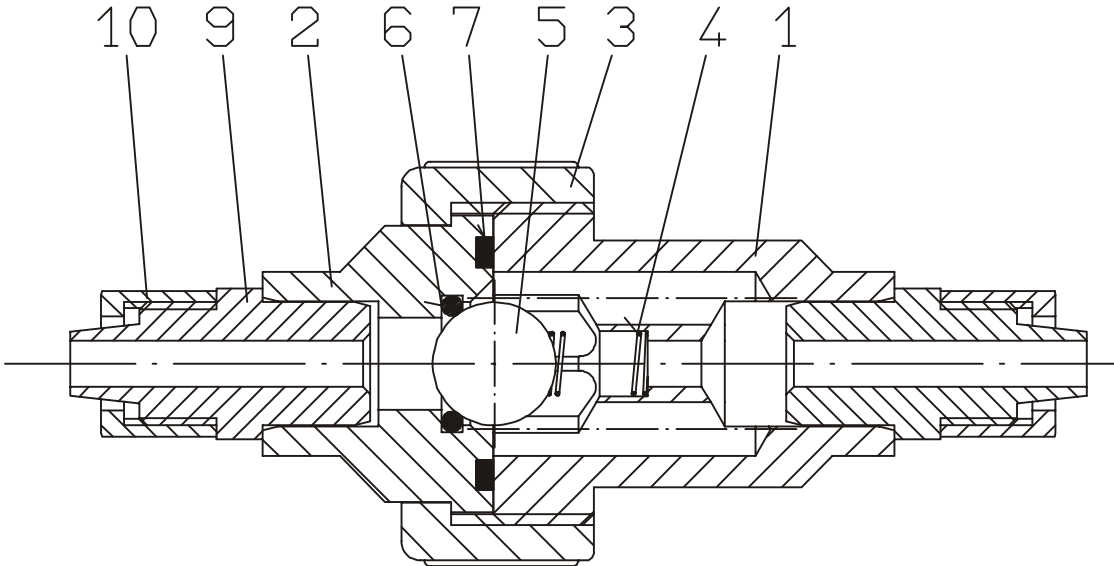


Item	Description	Material	Qty	Part No.
1	Clamping ring	Brass. nickel-plated	1	35000
2	Valve body	Brass. nickel-plated	1	35001
3	Pressure gauge -1..0..15 bar	Brass/silver/ABS	1	24087576
4	Connecting part	W 1". G 5/8 G 3/4	1	10157 15828
5	Union nut	W 1" G 5/8 G 3/4	1	10158 26089 15827
6*	Gasket	W 1". G 5/8 G 3/4	1	81043 81164
7	Plug	W 1" G 5/8 G 3/4	1	26418 29797 26419
8	Valve cap	PVDF	1	35002
9	Ball guide	PVDF	1	35003
10	Spring support	PVDF	1	35004
11	Valve seat holder	PVDF	1	35005
12*	Filter d 20mm	PTFE-felt	1	35006
13	Pressure spring d 7.5x18mm	Hastelloy	1	10051
14	Pressure spring d 6.9x10mm (Pressure spring d 6.8x12mm for increased residual pressure)	Hastelloy	1	28390 (34388)
15*	Ball	Ceramic	2	10033
16*	Valve seat	Viton	2	10032
17*	O-ring d 19x2.5mm	Viton	2	80817
18*	O-ring d 21x3.5	Viton	1	80819
19*	Screw M5x16mm	A4	4	83796
20*	Screw M5x30mm	A4	4	83858
	Inlet valve assembly	W1"		35007
	(increased residual pressure	W1")		(35220)
		G 5/8		35008
		G 3/4		35009
21*	O-ring d 35x2mm	Viton	1	80827
22	Hexagonal screw M5x16	A4	6	83610
23	Washer d 5,3	A4	6	84164

* contained in spare parts kit.

Lutz-Jesco GmbH

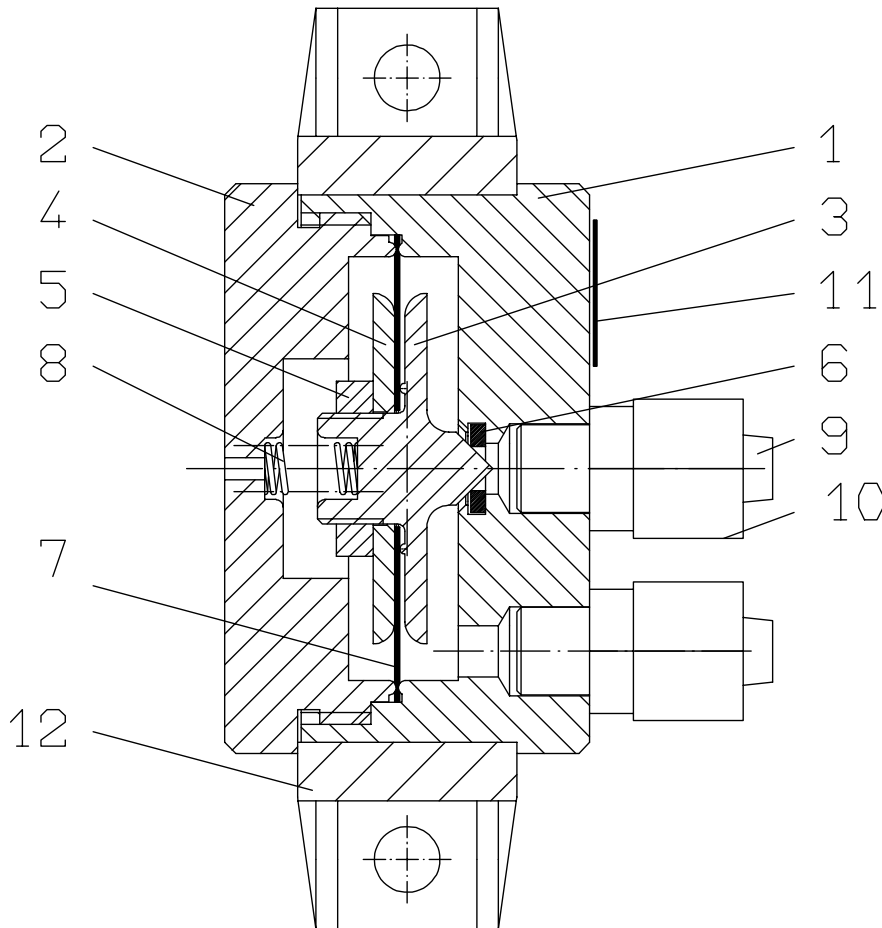
Improved changes are always reserved without notice.

Back stop


Item	Description	Material	Qty	Part No.	
1	Ball guide for back stop	PVC	1	35059	
2	Seat holder for back stop	PVC	1	35058	
3	Union nut G1 1/4	PVC	1	82213	
4	Pressure spring d 8.1x27mm	Hastelloy	1	25082	
5*	Ball d 16	Glass	1	82457	
6*	O-ring d 12.4x2.62mm	Viton	1	80004	
7*	O-ring d 25x3mm	Viton	1	80138	
8	Arrow label	Adhesive film	1	87359	
9	Tubing connection	8/12 12/16	PVC	2	33350
					15533
10	Union nut	8/12 12/16	PVC	2	10365
					15534
	Back stop assembly	8/12 12/16 d 16i			20435060
					20435061
					20435118

* contained in spare parts kit.

Safety valve

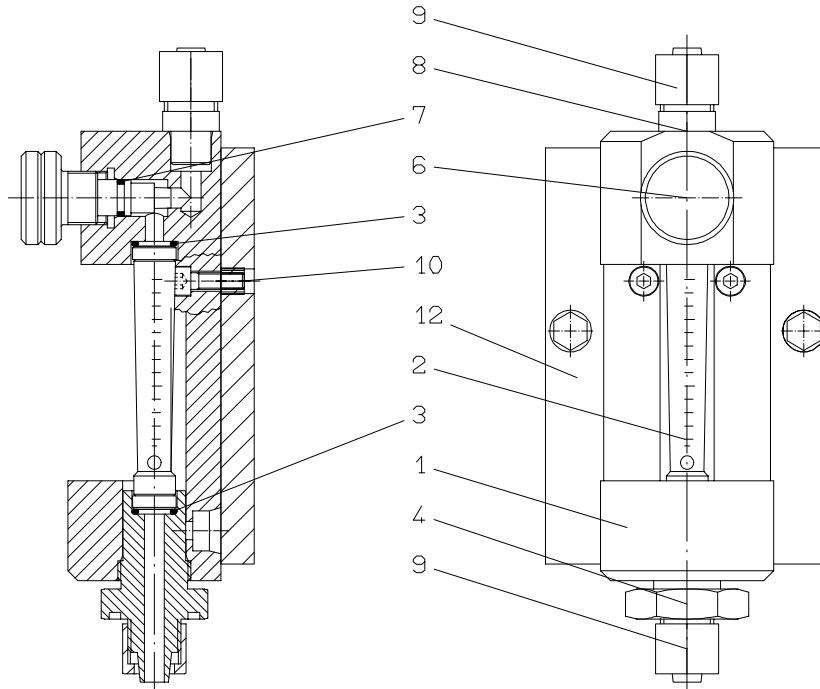


Full-Vacuum Chlorinator C 2211

Item	Quantity	Description	Material	Part No.
1	1	Lower part	PVC	32841
2	1	Upper part	PVC	32840
3	1	Diaphragm holder	PVC	32839
4	1	Diaphragm disc	PVC	32842
5	1	Lock nut	PVC	33182
6*	1	Valve seat	Viton	10032
7*	1	Diaphragm	Viton	81682
8	1	Pressure spring (14mm)	Hastelloy	28967
9	2	Clamping connection	PVC	22325
10	2	Union nut	PVC	10365
11	1	"IN-OUT" label	Polyscript	87548
12	1	Pipe clamp	PE	32619
Safety valve assembly for chlorine gas manifold				32843

* contained in spare parts kit.

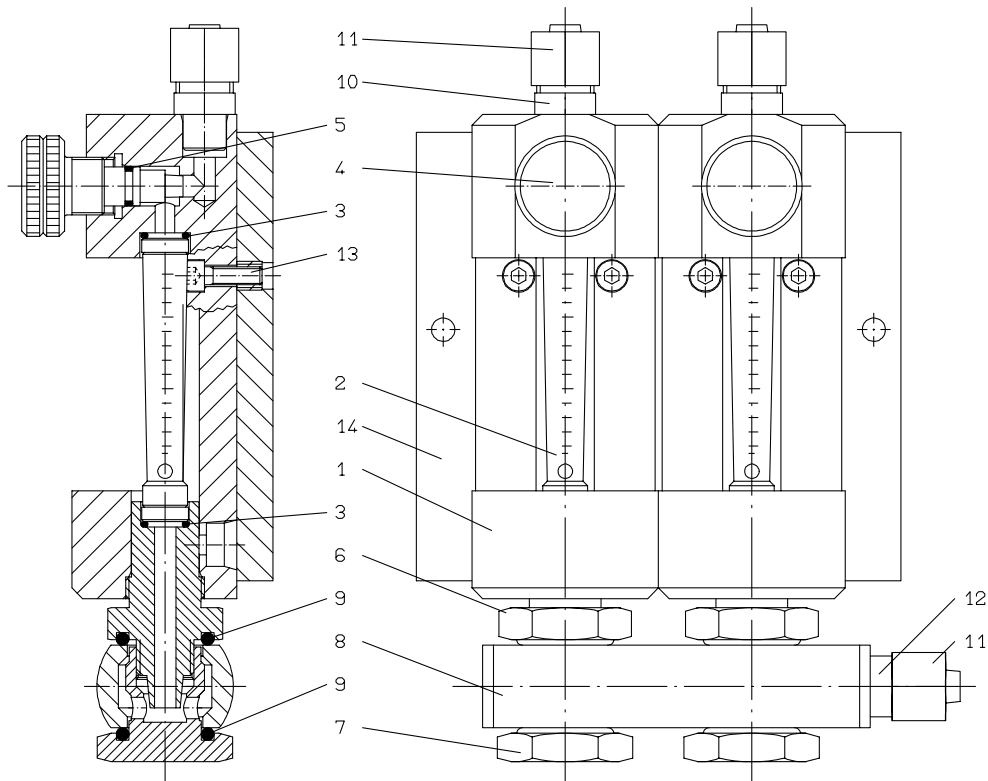
Single measuring glass holder



Measuring glass holder for wall mounting

Item	Quantity Wall mounting	Description	Material	Part No.	
1	1	Measuring glass holder	PVC	33340	
2	1	Measuring glass	1 ... 25g Cl ₂ /h	Glass/PE	87008
			4 ... 80g Cl ₂ /h	Glass/PE	87009
			10 ... 200g Cl ₂ /h	Glass/PE	87010
			25 ... 500g Cl ₂ /h	Glass/PE	87011
			50 ... 1000g Cl ₂ /h	Glass/PE	87012
			100 ... 2000g Cl ₂ /h	Glass/PE	87013
			125 ... 2500g Cl ₂ /h	Glass/PE	87014
			200 ... 4000g Cl ₂ /h	Glass/PE	87535
3*	2	O-ring	Viton	81384	
4	1	Setscrew for measuring glass	PVC	33341	
6	1	Adjusting screw	... 200g Cl ₂ /h	PMMA	31107
			... 4000g Cl ₂ /h	PMMA	28803
7*	1	O-ring	Viton	80006	
8	1	Clamping connection	PVC	22325	
9	2	Union nut	PVC	10365	
10*	2	Screws	A4	83796	
12	1	Mounting plate	PP/A2	33345	

* contained in spare parts kit.

Multiple measuring glass holder


Item	Quantity		Description	Material	Part No.	
	2-fold	3-fold				
1	2	3	Measuring glass holder	PVC	33340	
2	2	3	Measuring glass	1 ... 25g Cl ₂ /h	Glass/PE	87008
			4 .. 80g Cl ₂ /h	Glass/PE	87009	
			10 ... 200g Cl ₂ /h	Glass/PE	87010	
			25 ... 500g Cl ₂ /h	Glass/PE	87011	
			50 ... 1000g Cl ₂ /h	Glass/PE	87012	
			100 ... 2000g Cl ₂ /h	Glass/PE	87013	
			125 ... 2500g Cl ₂ /h	Glass/PE	87014	
			200 ... 4000g Cl ₂ /h	Glass/PE	87535	
3*	4	6	O-ring	Viton	81384	
4	2	3	Adjusting screw	... 200g Cl ₂ /h	PMMA	31107
				... 4000g Cl ₂ /h	PMMA	28803
5*	2	3	O-ring	Viton	80006	
6	2	3	Setscrew for measuring glass	PVC	33341	
7	2	3	Setscrew for yoke	PVC	33342	
8	1	—	Distributor yoke	2-fold	PVC	33343
	—	1	Distributor yoke	3-fold	PVC	33344
9*	4	6	O-ring	Viton	80075	
10	2	3	Clamping connection	PVC	22325	
11	3	4	Union nut d 8/12	PVC	10365	
11a	3	4	Union nut d 12/16	PVC	optional (15534)	
12	1	1	Clamping connection d 8/12	PVC	10366	
12a	1	1	Clamping connection d 12/16	PVC	optional (15537)	
13	4	6	Screw	A4	83796	
14	1	—	Mounting plate	PP/Ms	33346	
	—	1	Mounting plate	PP/Ms	33347	

* contained in spare parts kit.