

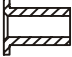

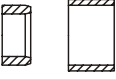



Spare part kits see ET 3 02 02 / 2

Spare parts kit

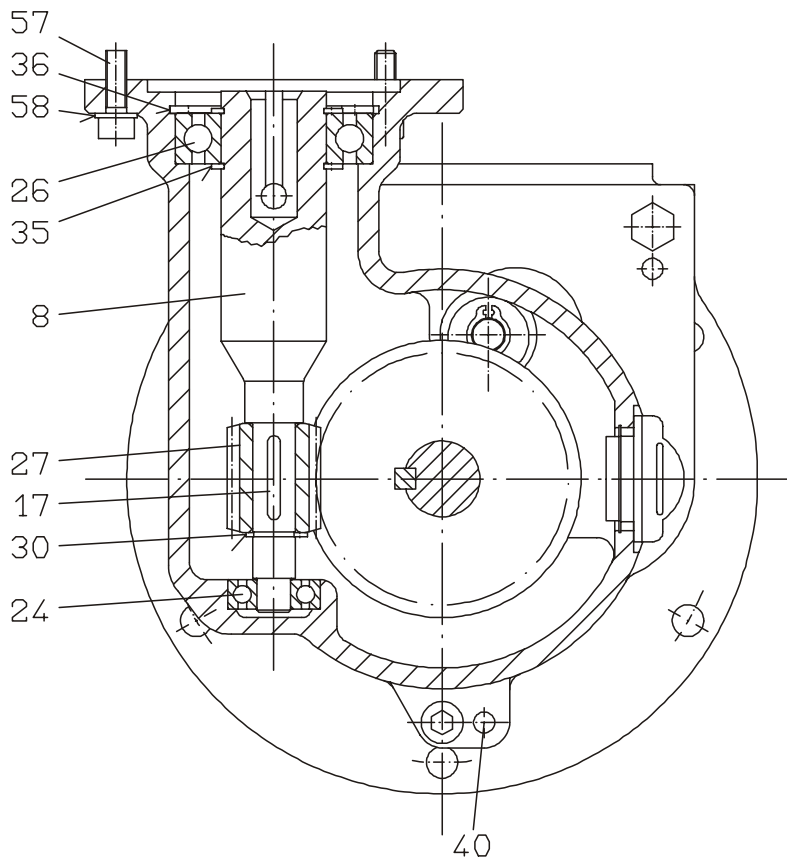
includes:	Part No.	
	Duplex roller chain	
	Chain joint	
	Flange bushing	32334
	Sealing ring	
	Bushing	
	O - ring	

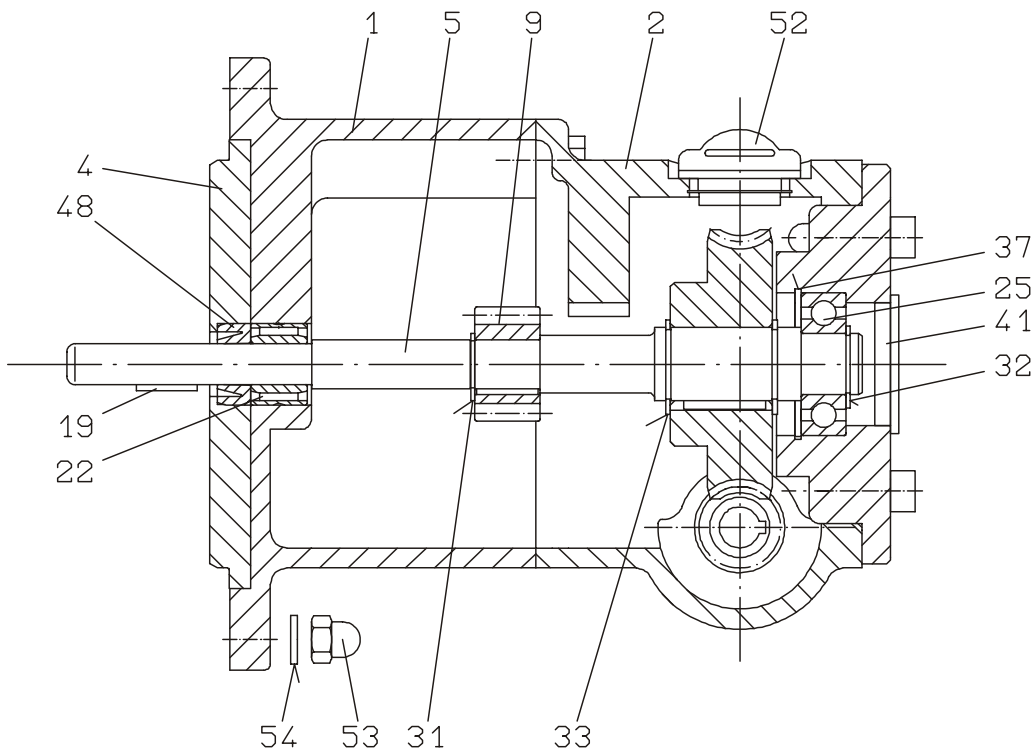
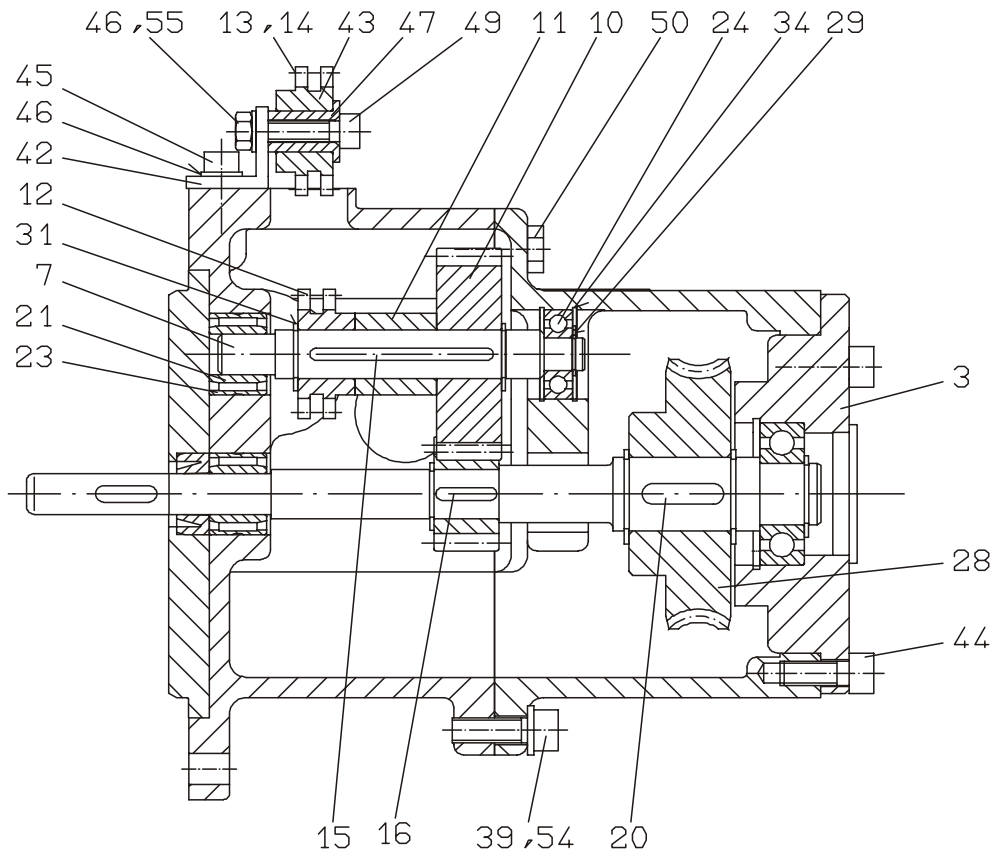
Dry feeder gear

Item	Description	Material	Qty	Part No.
1	Gear box	Al	1	29801
2	Gear box	Al	1	29802
3	Bearing bushing	St	1	31466
4	Sealing	PE	1	31468
5	Shaft	1.4305	1	31469
7	Shaft	1.4305	1	31471
8	Shaft	1.4305	1	31472
9	Gear wheel z 12 / m 2	St	1	31473
10	Gear wheel z 24 / m 2	St	1	31474
11	Spacer bushing	St	1	31476
12	Chain wheel z 11 / t 8	St	1	32172
13	Duplex roller chain	St	1	32206
14	Chain joint	St	1	32208
15	Adjusting spring 3x45	St	1	83673
16	Adjusting spring 3x15	St	1	83674
17	Adjusting spring 3x20	St	1	83675
19	Adjusting spring 4x15	St	1	83677
20	Adjusting spring 5x20	St	1	83078
21	Inner ring	St	2	86108
22	Needle bearing	St	1	86109
23	Needle bearing	St	1	86110
24	Grooved ball bearing	St	2	86111
25	Ball bearing	St	1	86006
26	Grooved ball bearing	St	1	86112
27	Worm	St	1	31557
28	Worm wheel	St	1	31558
29	Locking ring	Bz	1	84060
30	Locking ring	St	1	84084
31	Locking ring	St	3	84085
32	Locking ring	St	1	84010
33	Locking ring	St	2	84115
34	Locking ring	St	2	84061
35	Locking ring	St	2	84003
36	Locking ring	St	1	84077
37	Locking ring	St	1	84012
39	Cylinder head screw	St	2	83619
40	Straight pin	St	2	83682

Dry feeder gear

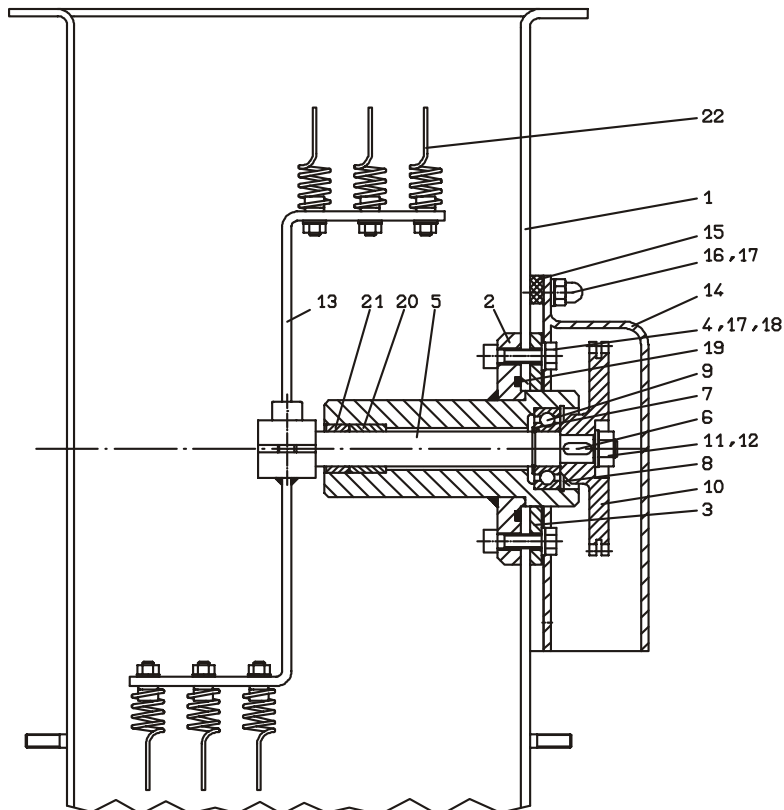
Item	Description	Material	Qty	Part No.
41	Plug	PVC	1	31479
42	Bracket	St	1	32175
43	Idler z 11 / t 8	St	1	32173
44	Cylinder head screw	A2	4	83668
45	Cylinder head screw	A2	2	83606
46	Washer	A2	3	84164
47	Flange bushing	Brass	1	32174
48	Sealing ring	PVDF	1	31483
49	Cylinder head screw	A2	1	83607
50	Hex. head screw	A2	1	83394
52	Handle plug	PE	2	32454
53	Hexagonal nut	A2	5	83394
54	Washer	A2	5	84160
55	Hexagonal nut	A2	1	83616
56	Cylinder head screw	A2	4	83608
57	Washer	A2	4	84164





Tank with agitator 31555

Item	Description	Material	Qty	Part No.
1	Tank	1.4571	1	31462
2	Bearing for agitator	1.4571	1	31538
3	Washer	1.4305	1	31541
4	Cylinder head screw	A2	6	83680
5	Shaft for agitator	1.4305	1	31542
6	Adjusting spring 5x12	St	1	83678
7	Locking ring	St	1	84010
8	Locking ring	St	1	84012
9	Ball bearing	St	1	86006
10	Chain wheel z 35 / t 8	St	1	32171
11	Washer	St nickel-pl.	1	84024
12	Hexagonal nut	St	1	83056
13	Agitator	1.4301	1	31546
14	Cover	ABS	1	31463
15	Sealing	Rubber sponge	0.4 m	97314
16	Cap nut	Brass	3	83235
17	Washer	A2	6	84162
18	Hexagonal nut	A2	6	83395
19	O-ring	Viton	1	80090
20	Bushing	Bronze	1	31556
21	Bushing	PE	1	31543
22	Accessories kit (springs for agitator)	misc.	1	35891



Feeder with hollow worm

Item	Description	Material	Part No.	TEH 0004	TEH 0014	TEH 0038	TEH 0060	TEH 0150	TEH 0320	TEH 0420	TEH 0850	TEH 1380	TEH 1900	TEH 2650
				31565	31566	31567	31568	31569	31570	31571	31572	31573	31574	31575
1	Worm d x pitch													
	20x7	1.4301	31514	1										
	20x14	1.4301	31547		1									
	38x10	1.4301	31515			1								
	38x18	1.4301	31548				1							
	38x25	1.4301	31549					1						
	51x25	1.4301	31516						1					
	51x40	1.4301	31550							1				
	75x30	1.4301	31517								1			
	75x60	1.4301	31551									1		
	90x60	1.4301	31518										1	
90x75	1.4301	31552											1	
2	Outlet pipe for helix													
	d 20	1.4571	31506	1	1									
	d 38	1.4301	31507			1	1	1						
	d 51	1.4571	31508						1	1				
	d 75	1.4301	31509								1	1		
	d 90	1.4301	31510										1	1
3	O-ring	NBR	80598	1	1	1	1	1	1	1	1	1	1	1
4	Hexagonal nut	Brass	83235	3	3	3	3	3	3	3	3	3	3	3
5	Washer	A2	84160	3	3	3	3	3	3	3	3	3	3	3

